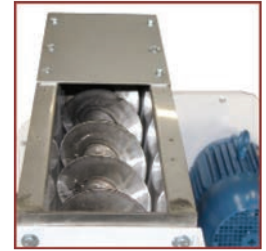


## MILL-R35 Pellet Mill 30HP

### Efficiency Unleashed: The MILL-R35 Economical Ring Die Pellet Mill

The MILL-R35 is an economical pilot-to-production scale ring die pellet mill that boasts a dependable belt drive system and has the capacity to produce 500 to 2500 lbs per hour, depending on the material.

The unit features a 30 HP motor and includes a stainless steel door, gravity feed chute, one set of rolls, and an adjustable cut-off knife. Customization options for the R35 include a stainless steel feeder, an adjustable padded stainless steel conditioner, force feeder, and die.



#### STANDARD FEATURES:

- Equipped with 30 HP TEFC, 3-phase motor
- New dies available: 1/8" to 1/2"
- Custom die sizes available upon request
- Simple and reliable belt drive system
- Mounted on a steel frame
- Safety stickers with icons
- Safety guards over all pulleys and bearings
- Stainless steel hinged door with safety interlock
- Easy-adjust knife posts to change pellet length
- Feed-chute with hinged door for lab runs/die clean-out
- Operator's manual included
- Designed, assembled, & supported in the USA
- CME's Signature 1-Year Manufacturer's Warranty

#### OPTIONS:

- Change Parts Required: New Die
- Change Parts Required: Rollar Assembly Set
- Stainless Conditioner
- Stainless Feeder with Inverter Duty Motor
- Force Feeder
- Isolation Pad Set
- Nitrogen Ports
- Food Grade Grease
- Safety Control Panel

#### SPECIFICATIONS:

Motor: 30 HP

Capacity / HR:

500- 2550 LBS

Die Inner Dia: 10" Ring

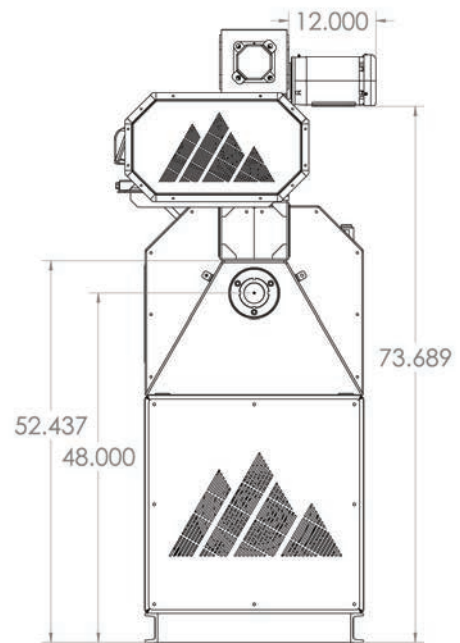
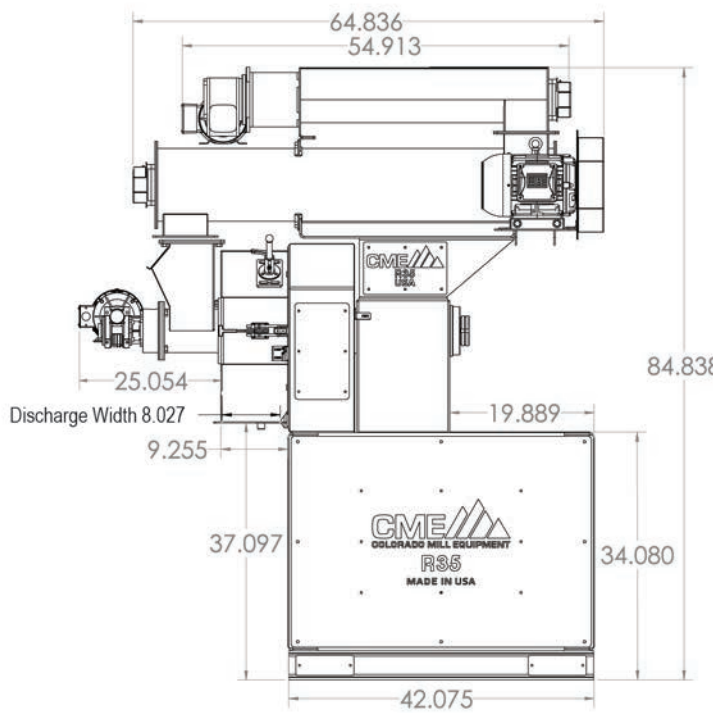
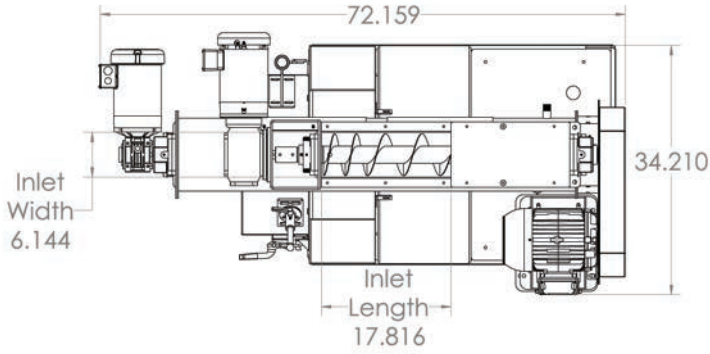
Dimensions (IN):

75" L x 35" W x 85" H

Weight: 2550 LBS



**DIMENSIONS:**



**Alfalfa**

**Animal Feed**

**Recycling & Plastics**

**Hops**

