

2 Hi Model "M" Roller Mill For Medium-Duty Particle Reduction

The Model "M" was developed as a scaled-down version of the industrial mill especially for customers with easy-to-grind products and low tonnage requirements. Model "M" applications include plastics, spices, nuts, food products, desiccants, various dry chemicals and feed processing.

The Model "M" mill utilizes 10" chilled cast rolls of the same quality as our industrial machines. These provide more surface area at the roll nip and a more controlled particle size. The Model "M" is available as either a single-high with one pair of rolls, or a double reduction two-high with one pair of rolls mounted on top of the other. Either mill is available with a variety of roll corrugations and can be ordered with or without an inlet hopper.



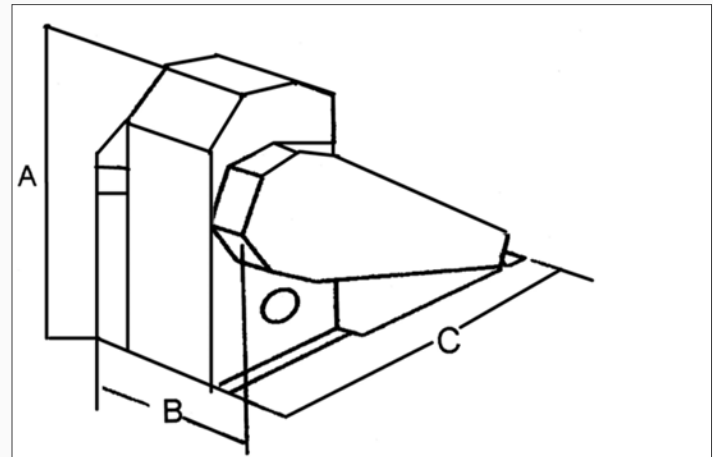
STANDARD FEATURES:

- Four Chilled Cast Iron Rolls
- Mild Steel Mill Housing
- Removable Doors for Easy Access to Rolls
- Pillow Block and Flange Style Roll Bearings
- Pivot Roll Arms with Eccentric Vertical Adjustment
- Heavy Duty Spring Roll Tension
- V-Belt Drive and Differential Packages with Enclosed Guards
- Adjustable Motor Base Mounted to Motor Stand
- Ten Position Locking Lever Roll Gap Adjustment
- Belt Driven Rotary Paddle Feeder (constant RPM)
- Adjustable Feed Gate
- Product Sampling Ports
- Central Lubrication Manifolds with Poly Grease Lines

OPTIONS:

- Main Drive Motor
- Micro Hand Wheel Roll Gap Adjustment
- Small Surge Hopper
- 6" Horizontal Auger Discharge
- Continuous Interior Welds
- Epoxy Paint

DIMENSIONS: (INCHES)



		A	B	C
1-Hi Mill	10 x 6	42	28.5	54.25
	10 x 12	42	34.5	54.25
	10 x 18	42	40.5	54.25
	10 x 24	42	46.5	54.25
	10 x 30	42	52.5	54.25
	10 x 36	42	58.5	54.25
2-Hi-Mill	10 x 12	60.25	35.5	54 7/8
	10 x 18	60.25	41.5	54 7/8
	10 x 24	60.25	47.5	56 7/8
	10 x 30	60.25	53.5	56 7/8
	10 x 36	60.25	59.5	56 7/8

CAPACITIES:

Roll Size	Motor H.P Required		Corrug per in. *	Hi Moisture (70#/Bu)		Dry Corn (56#/Bu)		Milo (56#/Bu)		Wheat (60#/Bu)		Oats (37#/Bu)		Barley (50#/Bu)	
	Single	2-Hi		Bu/hr	Kg/Min	Bu/hr	Kg/Min	Bu/hr	Kg/Min	Bu/hr	Kg/Min	Bu/hr	Kg/Min	Bu/hr	Kg/Min
10 x 6	3	7.5	5	180	95	200	84								
			10			80	34	80	34	50	21	60	25	50	21
			13			50	21	53	22	36	15	42	18	36	15
10 x 12	5	10	5	365	193	400	168								
			10			160	67	160	67	95	40	100	42	95	40
			13			100	42	130	55	70	30	60	25	70	30
10 x 18	7.5	15	5	545	288	600	252								
			10			240	100	240	100	130	55	140	60	130	55
			13			150	63	200	84	65	27	85	36	65	27
10 x 24	10	20	5	730	386	800	336								
			10			320	134	320	134	175	74	190	80	175	74
			13			200	84	260	110	90	38	115	48	90	38
10 x 30	15	25	5	910	481	1000	420								
			10			400	168	400	168	215	90	225	95	215	90
			13			250	105	320	134	110	46	135	57	110	46
10 x 36	20	30	5	1100	582	1200	504								
			10			480	202	480	202	235	100	250	105	235	100
			13			300	126	390	164	120	51	150	63	120	51

All projected capacities listed are only estimates. The capacity of any roller or flaking mill will vary depending on quality of the Grain, roll spacing (gap), horse power, differential roll speed and the general operation of the mill.

* 5 groove per inch corrugations are normally used for coarse cracking of corn.

10 groove per inch corrugations are normally used for processing a combination of grains on a single pair roller mill.

13 groove per inch corrugations are normally used for processing small grains on a single pair mill and/or double reduction on a 2-Hi m

Model M Roller Mills-Net. Wt.

ROLL SIZE	1-HI	2-HI
10"x6"	900lbs	--
10"x12"	1200lbs	2200lbs
10"x18"	1500lbs	2900lbs
10"x24"	1800lbs	3500lbs
10"x30"	2300lbs	4200lbs
10"x36"	2500lbs	4900lbs