

RAD's high-efficiency ROLLER mills are made of 57 Rockwell hardened steel.

These mills are capable of handling 1.5 to 7.0 tons/hr.

- Single pair rollers or stacked
- Heavy-duty painted steel construction
- Rollers made of 57 rockwell c hardened steel
- 1.5 To 7.0 Tonnes/hour
- Easy-access magnetized drawer
- Easy to set pressure and roller gap
- Safety grill attached to the hopper
- Equipment can be used in brewing
- Adjustable legs
- Accessories available



Model 200 and 300

SPECIFICATIONS AND CAPACITY OF SINGLE ROLLER MILL

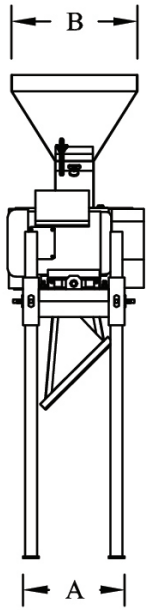
MODEL	ROLLER DIAMETER	ROLLER WIDTH	CORRUGATION (TEETH/INCH)	DRY CORN	HIGH MOISTURE CORN	DRY SMALL GRAIN	HIGH MOISTURE SMALL GRAIN
200	6 1/2"	4 1/2"	5	4.3 T/H	3.7 T/H	—	—
			8.5 (INCLINED)	2.7 T/H	2.5 T/H	1.5 T/H	1.2 T/H
			10.5	—	—	1.2 T/H	1.0 T/H
300	6 1/2"	7 1/2"	5	7.0 T/H	2.5 T/H	—	—
			8.5 (INCLINED)	4.5 T/H	4.2 T/H	2.5 T/H	2.0 T/H
			10.5	—	—	2.1 T/H	1.7 T/H

SUGGESTED MOTOR

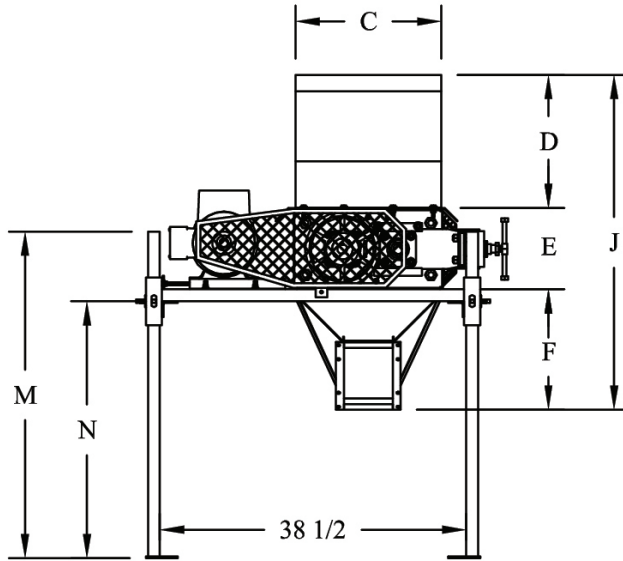
MODEL	GRAIN	HP	RPM
200	CORN	2	1800
	BARLEY	3	1800
300	CORN	3	1800
	BARLEY	5	1800

- 57 Rockwell c tempered steel roller
- Heavy Steel Robust Construction
- Easy Access Magnet Drawer
- Easy Pressure and spacing of rollers
- Safety mechanism in case of foreign object passing
- Other accessories available

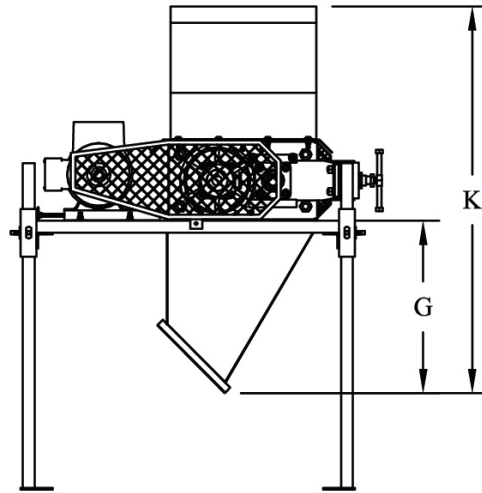
Specifications are subject to change without notice.



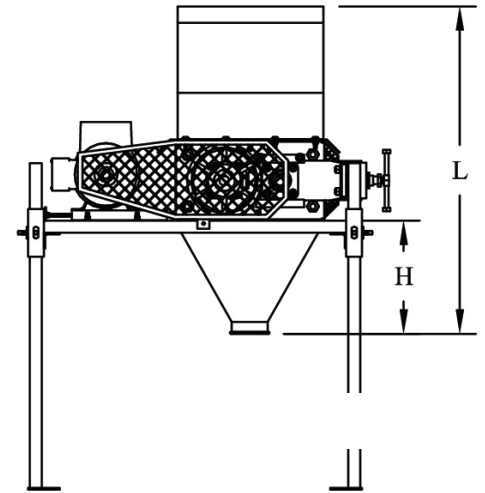
END VIEW



45° PERPENDICULAR OUTLET



45° PARALLEL OUTLET



BAGING OUTLET

MODEL	DIMENSIONS												
	A	B	C	D	E	F	G	H	J	K	L	M	N MAX.
200	12 3/4	15 7/8	18 1/4	16 3/4	10 1/4	15 1/8	21 5/8	14 1/8	42	48 5/8	41 1/8	41	38 1/2
300	15 3/4	15 7/8	18 1/4	16 3/4	10 1/4	15 1/8	21 5/8	14 1/8	42	48 5/8	41 1/8	41	38 1/2