

RAD's high-efficiency HAMMER Mills are made of 56 RHC carbon steel.

These mills are capable of handling 1.5 to 21.5 tons/hr.

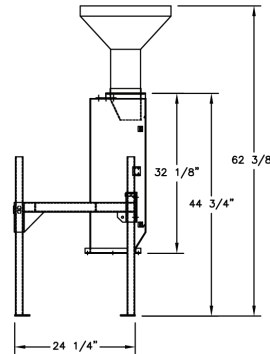
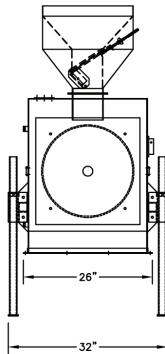
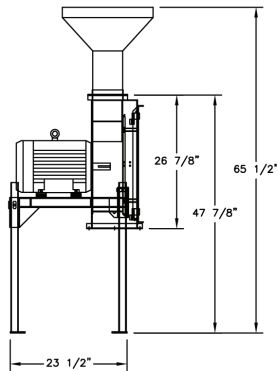
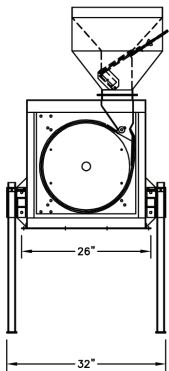
- Heavy-duty, high-quality assembly
- Hammer rods
- Magnetized drawer to separate metal objects
- 1/16" To 1/2" sifters for different types of grain
- Safety shut-off switch on the door
- Grain homogeneity and profitability ensured
- Loading and unloading system available
- Many accessories available



Model MX1800



Model MX2000

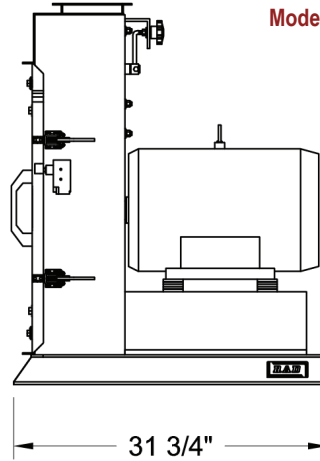
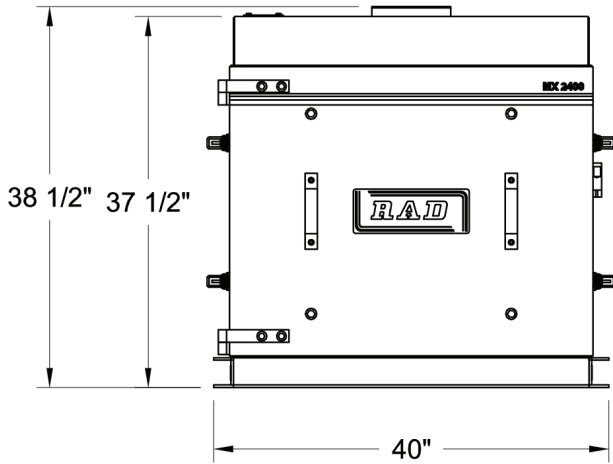


Screen size chart

| | GRAIN | Screen size |
|---------------------|---------------------|--------------------------|
| Hog | Dry shelled corn | 1/8", 5/32", 3/16", 1/4" |
| | Wet corn | 1/4" |
| | Wheat, oats, barley | 1/8", 5/32" |
| Dairy Cattle | Dry shelled corn | 1/4", 5/16" |
| | Wet corn | 3/8" |
| | Wheat, oats, barley | 5/32" |
| Poultry | Dry shelled corn | 3/16", 1/4" |
| | Wheat, oats | 5/32" |

Capacity in tons/hour based on grain and screen size

| MOTOR | 7.5 H.P. | | | 10 H.P. | | | 15 H.P. | | | |
|-------|----------|------|-------|---------|------|-------|---------|------|-------|--------|
| | SCREEN | Corn | Wheat | Barley | Corn | Wheat | Barley | Corn | Wheat | Barley |
| | 1/16" | 0.5 | 0.6 | 0.3 | 0.7 | 0.8 | 0.4 | 1.0 | 1.1 | 0.5 |
| | 3/32" | 0.8 | 0.9 | 0.4 | 1.1 | 1.2 | 0.6 | 1.7 | 1.9 | 0.9 |
| | 1/8" | 1.7 | 1.9 | 0.9 | 2.3 | 2.5 | 1.2 | 3.5 | 3.8 | 1.8 |
| | 5/32" | 2.1 | 2.3 | 1.1 | 2.8 | 3.1 | 1.4 | 4.2 | 4.6 | 2.1 |
| | 3/16" | 2.5 | | 1.2 | 3.3 | | 1.7 | 4.9 | | 2.5 |
| | 7/32" | 2.8 | | 1.4 | 3.7 | | 1.9 | 5.6 | | 2.8 |
| | 1/4" | 3.1 | | 1.6 | 4.2 | | 2.1 | 6.3 | | 3.2 |
| | 5/16" | 3.8 | | 1.9 | 5.1 | | 2.6 | 7.7 | | 3.9 |
| | 3/8" | 4.5 | | | 6.0 | | | 9.0 | | |
| | 1/2" | 6.1 | | | 8.2 | | | 12.3 | | |



Model MX2400

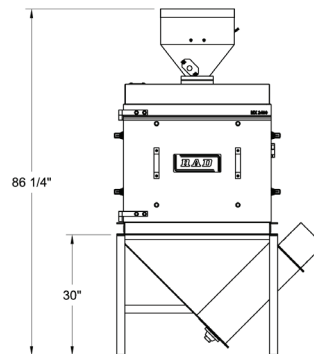


Capacity in tons/hour based on grain and screen size

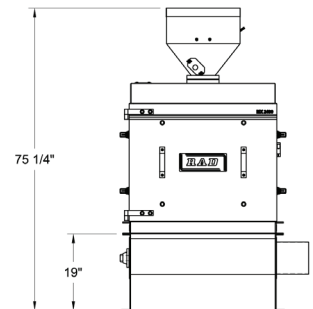
| MOTOR | 20 H.P. | | | 25 H.P. | | | 30 H.P. | | |
|--------|---------|-------|--------|---------|-------|--------|---------|-------|--------|
| SCREEN | Corn | Wheat | Barley | Corn | Wheat | Barley | Corn | Wheat | Barley |
| 1/16" | 1.2 | 1.4 | 0.7 | 1.5 | 1.7 | 0.8 | 1.8 | 1.9 | 0.9 |
| 3/32" | 1.9 | 2.1 | 1.1 | 2.6 | 2.7 | 1.4 | 3.0 | 3.3 | 1.6 |
| 1/8" | 4.0 | 4.4 | 2.1 | 5.0 | 5.6 | 2.7 | 6.0 | 6.7 | 3.2 |
| 5/32" | 4.9 | 5.4 | 2.5 | 6.2 | 6.7 | 2.9 | 7.4 | 8.0 | 3.7 |
| 3/16" | 5.8 | | 3.0 | 7.4 | | 3.7 | 9.0 | | 4.4 |
| 7/32" | 6.5 | | 3.3 | 8.2 | | 4.1 | 9.8 | | 4.9 |
| 1/4" | 7.4 | | 3.7 | 9.2 | | 4.7 | 11.0 | | 5.6 |
| 5/16" | 8.9 | | 4.6 | 11.2 | | 5.7 | 13.5 | | 6.8 |
| 3/8" | 10.5 | | | 13.1 | | | 15.7 | | |
| 1/2" | 14.4 | | | 18.0 | | | 21.5 | | |

Screen size chart

| | GRAIN | Screen size |
|---------------------|---------------------|--------------------------|
| Hog | Dry shelled corn | 1/8", 5/32", 3/16", 1/4" |
| | Wet corn | 1/4" |
| | Wheat, oats, barley | 1/8", 5/32" |
| Dairy Cattle | Dry shelled corn | 1/4", 5/16" |
| | Wet corn | 3/8" |
| | Wheat, oats, barley | 5/32" |
| Poultry | Dry shelled corn | 3/16", 1/4" |
| | Wheat, oats | 5/32" |



45° unloading hopper
For 6" Ø or 8" Ø auger



Horizontal unloading hopper
For 6" Ø or 8" Ø auger