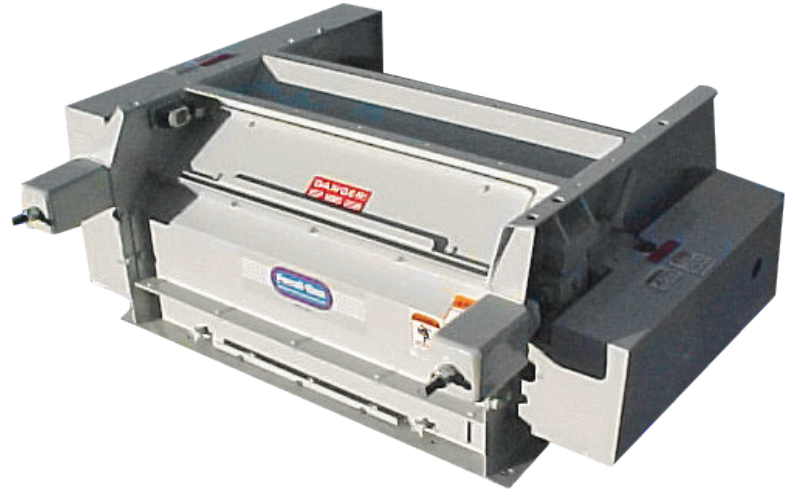


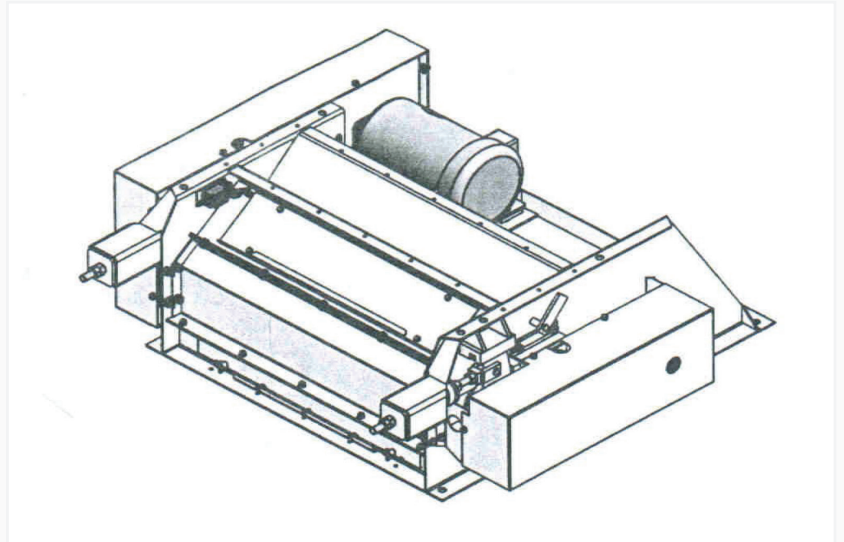


Ferrell-Ross Crumblers are designed to break pellets into smaller particles. Most Crumbler applications align the crumbler directly below a Pellet Cooler. The output from the crumbler can be routed to a separating screener for classification or to another processing component. Large screenings, or overs, can be returned to the crumbler for further reduction, while the fine material can be returned to the pellet mill for repelleting.



STANDARD FEATURES:

- Two Chilled Cast Iron Rolls
- Horizontal and Ring Cut Corrugation to Reduce Fines
- Lever Control Pellet Diverter Allows Product to By-Pass Rolls
- Low Profile Design
- Main V-Belt Drive, with Motor
- Adjustable Motor Base
- 1.5 to 1 Differential V-Belt Drive
- Enclosed Drive and Differential Guards
- Heavy Duty Spring Roll Tension
- Bolt-on Bearings with Robust Support
- Rolls Removed From Front of Crumbler
- Roll Inspection Panel with Safety Switch
- Sample Door for Easy Collection



AVAILABLE SIZES & MODELS:

8 x 37

8 x 55